



# ANLY TIMER

## ACT TWIN DIGITAL TIMER



### CHARACTERISTIC :

- Crystal oscillator for extreme accuracy
- Pushwheel switch for accurate setting
- Continuous repeat operation
- Setting time can be up to 99 days
- CE certified

### SPECIFICATION :

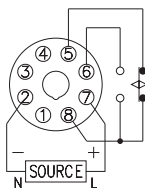
Operating voltage	DC(V): 12, 24 AC(V): 12, 24, 110, 220, 240
Allowable operating voltage range	85~110% of rated operating voltage
Rated frequency	50 / 60 Hz
Contact rating	250VAC 5A (resistive load)
Reset time	MAX 0.2S
Power consumption	Approx. 2VA
Life	Mechanical: 5,000,000 times Electrical: 100,000 times
Ambient temperature	-10 ~ +50°C (without condensation & freezing)
Ambient humidity	MAX 85% RH (without condensation)
Altitude	MAX 2000m
Weight	Approx. 190g

### TYPE SELECTION :

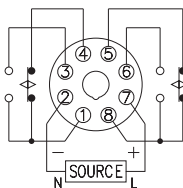
Type	ACT-N / Y	ACT-N2 / Y2	ACT-N3 / Y3	ACT-NS / YS	ACT-ND / YD	ACT-NT / YT
Operation mode	Circulation			Single	Separation	T1 within T2
Output contact	1C	2C Delayed	2C Inst.+Delayed	1C	2C Delayed	1C
Time range	99S x 99S, 99S x 99M, 99M x 99S, 99M x 99M, 99M x 99H, 99H x 99M, 99H x 99H or 99H x 99Day - - - upon clients' request up to 99 days					99M x 9.9S 99H x 9.9S 99H x 99S 99H x 9.9M 99D x 9.9S 99D x 99S 99D x 9.9M 99D x 99M

## CONNECTION :

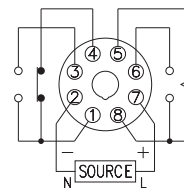
1C



2C Delayed

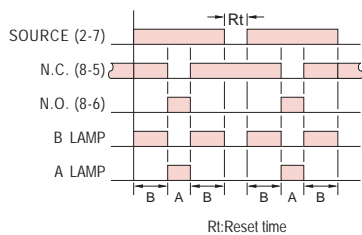


2C Inst.+Delayed

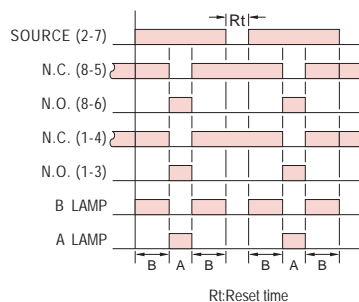


## TIMING CHART :

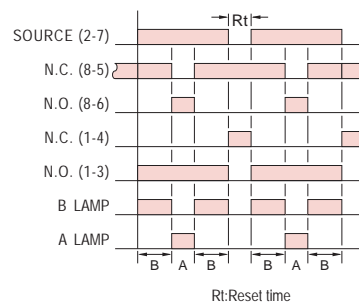
1C



2C Delayed

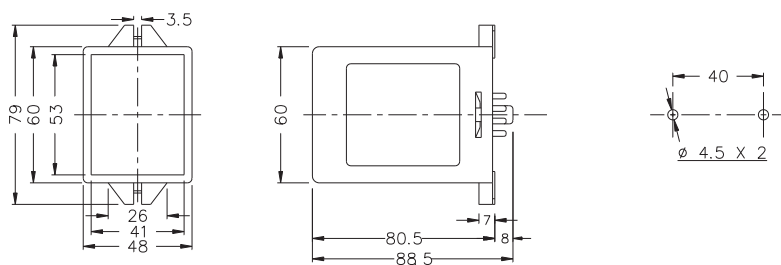


2C Inst.+Delayed

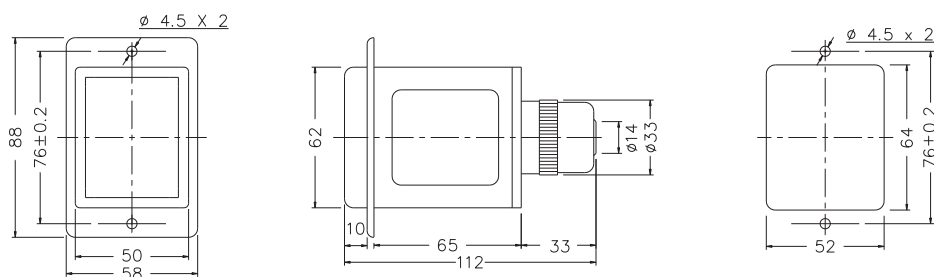


## DIMENSIONS : (mm)

N type(Surface Mounting): Using PF085A Socket



Y type(Flush Mounting): Using US-08 Socket or P3G-08 Socket



Tolerance:±0.1

**ANLY ELECTRONICS CO., LTD.**

<http://www.anly.com.tw>

**TAIWAN MAIN OFFICE : ANLY ELECTRONICS CO., LTD.**

No.19, Lane 202, Fushou St., Xinzhuang Dist., New Taipei City 242, Taiwan  
TEL: +886-2-2996-3202 FAX: +886-2-2996-2017

**HONG KONG OFFICE : ANLY ELECTRONICS (HK) LTD.**

Flat K, 13/F, Edward Mansion, 141 Prince Edward Road W., Kowloon, Hong Kong  
TEL: +852-2397-2505 FAX: +852-2397-6080

**CHINA OFFICE : ANLY TECHNOLOGY (WUXI) CO., LTD.**

2F, Building A, Plot 1, No. 28, Zhanhong Rd., Xinwu Dist., Wuxi, Jiangsu, P.R.China  
TEL: +86-510-85304801-3

**MALAYSIA OFFICE : JUSTY ELECTRONICS (M) SDN. BHD.**

No.1, Jalan 6/89B, Kawasan Perindustrian Trisegi, Batu 3 1/2 Off Jalan Sungei Besi, 57100 Kuala Lumpur, Malaysia  
TEL: +60-3-7983-5758 FAX: +60-3-7981-5052

**INDONESIA OFFICE : PT. ANLY ELECTRONICS INDONESIA**

Jl. Pangeran Jayakarta 117/B9, Jakarta Pusat, 10730 Indonesia  
TEL: +62-21-624-8436 FAX: +62-21-626-1228

NO. ACT-W-A