



ANLY TIMER

ANLY

ASY-C TIME COUNTER



CHARACTERISTIC :

- Crystal oscillator for extreme accuracy
- Large (0.61") 7-segment-display for clear display

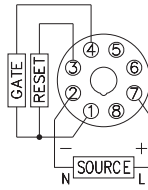
SPECIFICATION :

Operating voltage	DC(V): 12, 24 AC(V): 12, 24, 110, 220, 240
Allowable operating voltage range	85~110% of rated operating voltage
Rated frequency	50 / 60 Hz
Contact rating	----
Reset time	MAX 0.3S
Power consumption	Approx. 3VA
Life	Electrical: 100,000 times
Ambient temperature	-10 ~ +50°C (without condensation & freezing)
Ambient humidity	MAX 85%RH (without condensation)
Altitude	MAX 2000m
Weight	Approx. 220g

TYPE SELECTION :

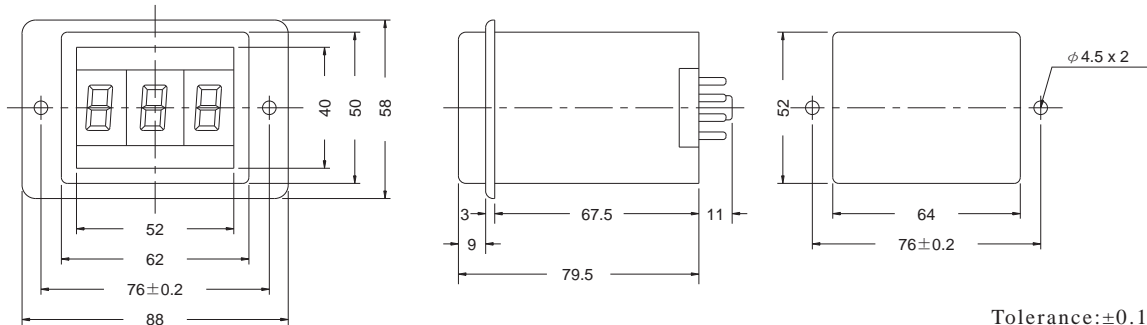
Type	ASY-C
Output contact	----
Time range	99.9S , 999S , 99.9M or 999M

CONNECTION :



DIMENSIONS : (mm)

Y type(Flush Mounting): Using US-08 Socket or P3G-08 Socket



Tolerance:±0.1

ANLY ELECTRONICS CO., LTD.

<http://www.anly.com.tw>

TAIWAN MAIN OFFICE : ANLY ELECTRONICS CO., LTD.

No.19, Lane 202, Fushou St., Xinzhuang Dist., New Taipei City 242, Taiwan
TEL: +886-2-2996-3202 FAX: +886-2-2996-2017

HONG KONG OFFICE : ANLY ELECTRONICS (HK) LTD.

Flat K, 13/F, Edward Mansion, 141 Prince Edward Road W., Kowloon, Hong Kong
TEL: +852-2397-2505 FAX: +852-2397-6080

CHINA OFFICE : ANLY TECHNOLOGY (WUXI) CO., LTD.

2F, Building A, Plot 1, No. 28, Zhanhong Rd., Xinwu Dist., Wuxi, Jiangsu, P.R.China
TEL: +86-510-85304801~3

MALAYSIA OFFICE : JUSTY ELECTRONICS (M) SDN, BHD.

No.1, Jalan 6/89B, Kawasan Perindustrian Trisegi, Batu 3 1/2 Off Jalan Sungei Besi, 57100 Kuala Lumpur, Malaysia
TEL: +60-3-7983-5758 FAX: +60-3-7981-5052

INDONESIA OFFICE : PT. ANLY ELECTRONICS INDONESIA

Jl. Pangeran Jayakarta 117/B9, Jakarta Pusat, 10730 Indonesia
TEL: +62-21-624-8436 FAX: +62-21-626-1228

NO. ASYC-W-A