



ANLY COUNTER

H7E TOTAL COUNTER / TIME COUNTER / TACHOMETER



CHARACTERISTICS :

H7E-C

- It is a 8-digit total counter
- It can switch between 30Hz and 1KHz signal via DIP switch

H7E-T

- It is a 7-digit time counter
- It can switch between 2 models via DIP switch
H7E-TA: 999999.9h/3999d23.9h
H7E-TB: 999h59m59s/9999h59.9m
- H7E-C, H7E-T with key-protect switch to prevent faulty reset key operation

H7E-R

- H7E-RA is a 4-digit tachometer, revolution up to 1000(rps/rpm)
- H7E-RB is a 5-digit tachometer, revolution up to 1000.0(rps/rpm) / 10000rpm(switch by DIP switch)
- Backlight option (requires AC/DC 24V power supply)
- 60 mm short body design

SPECIFICATION :

| | |
|-----------------------------------|--|
| Operating voltage | DC(V): 3(Built-in Battery CR123A) |
| Backlight operating voltage | AC/DC(V): 24 |
| Allowable operating voltage range | 85~110% of rated operating voltage |
| Rated frequency | 50 / 60 Hz |
| Power consumption | Approx. 0.8W/2.4VA |
| Battery type | CR123A |
| Battery life | H7E-C/-R: 7 years min (at 20°C) H7E-T: 10 years min (at 20°C) |
| Ambient temperature | -10 ~ +50°C (without condensation & freezing) |
| Ambient humidity | MAX 85% RH (without condensation) |
| Altitude | MAX 2000m |
| Weight | Approx. 62g |

TYPE SELECTION :

H7E-C

| Input Type | Max. Count Speed | No Backlight | Backlight |
|------------------|-----------------------------|--------------|-----------|
| No-voltage input | 30Hz / 1KHz (switchable) | H7E-C | H7E-C-B |
| AC/DC 24-240V | 20Hz | H7E-CM | H7E-CM-B |

H7E-T

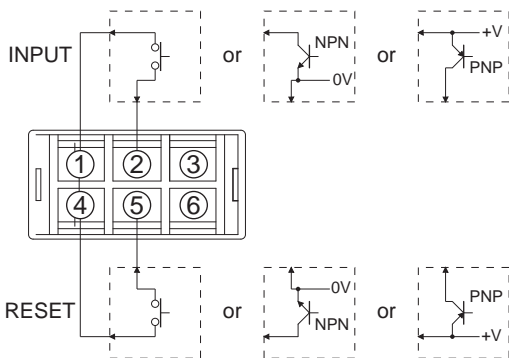
| Input Type | Time Range | No Backlight | Backlight |
|------------------|---|--------------|-----------|
| No-voltage input | 999999.9h / 3999d23.9h (switchable) | H7E-TA | H7E-TA-B |
| | 999h59m59s / 9999h59.9m (switchable) | H7E-TB | H7E-TB-B |
| AC/DC 24-240V | 999999.9h / 3999d23.9h (switchable) | H7E-TMA | H7E-TMA-B |
| | 999h59m59s / 9999h59.9m (switchable) | H7E-TMB | H7E-TMB-B |

H7E-R

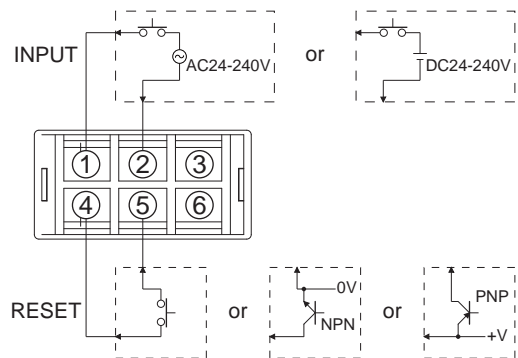
| Input Type | Max. Revolution Display (encoder resolution used) | No Backlight | Backlight |
|------------------|---|--------------|-----------|
| No-voltage input | 1000 rps (1 pulse/rev.), 1000 rpm (60 pulse/rev.) | H7E-RA | H7E-RA-B |
| | 1000.0 rps (10 pulse/rev.), 1000.0 rpm (600 pulse/rev.) / 10000 rpm (60 pulse/rev.)(switchable) | H7E-RB | H7E-RB-B |

CONNECTION :

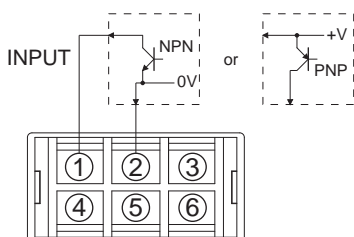
H7E-C/-T



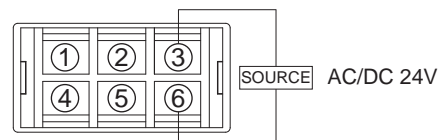
H7E-CM/-TM



H7E-R



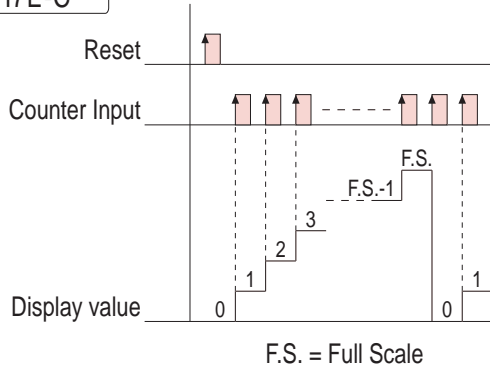
Backlight



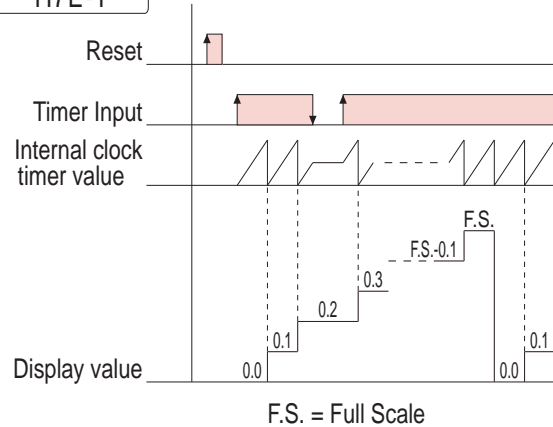
Note: Transistor Input(Open collector of an NPN / PNP Transistor)

TIMING CHART :

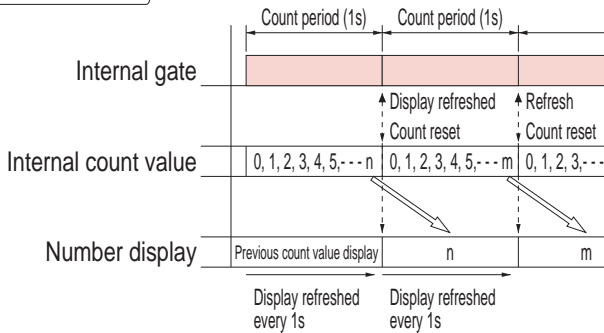
H7E-C



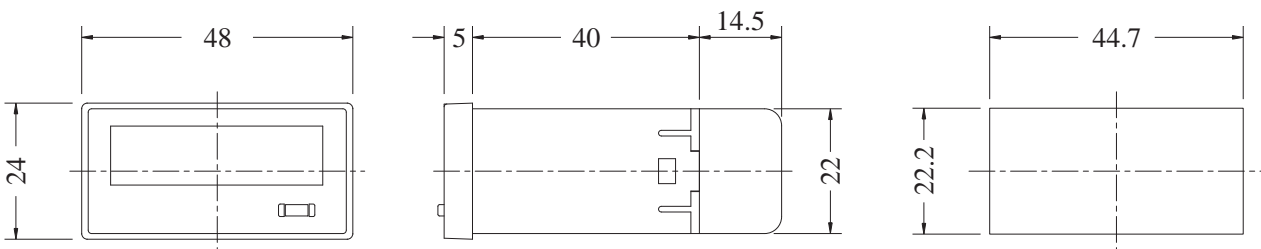
H7E-T



H7E-R



DIMENSIONS : (mm)



Tolerance: ±0.1

ANLY ELECTRONICS CO., LTD.

<http://www.anly.com.tw>

TAIWAN MAIN OFFICE : ANLY ELECTRONICS CO., LTD.

No.19, Lane 202, Fushou St., Xinzhuang Dist., New Taipei City 242, Taiwan
 TEL: +886-2-2996-3202 FAX: +886-2-2996-2017

HONG KONG OFFICE : ANLY ELECTRONICS (HK) LTD.

Flat K, 13/F, Edward Mansion, 141 Prince Edward Road W., Kowloon, Hong Kong
 TEL: +852-2397-2505 FAX: +852-2397-6080

CHINA OFFICE : ANLY TECHNOLOGY (WUXI) CO., LTD.

2F, Building A, Plot 1, No. 28, Zhanhong Rd., Xinwu Dist., Wuxi, Jiangsu, P.R.China
 TEL: +86-510-85304801-3

MALAYSIA OFFICE : JUSTY ELECTRONICS (M) SDN. BHD.

No.1, Jalan 6/89B, Kawasan Perindustrian Trisegi, Batu 3 1/2 Off Jalan Sungei Besi, 57100 Kuala Lumpur, Malaysia
 TEL: +60-3-7983-5758 FAX: +60-3-7981-5052

INDONESIA OFFICE : PT. ANLY ELECTRONICS INDONESIA

Jl. Pangeran Jayakarta 117/B9, Jakarta Pusat, 10730 Indonesia
 TEL: +62-21-624-8436 FAX: +62-21-626-1228

NO. H7E-W-A